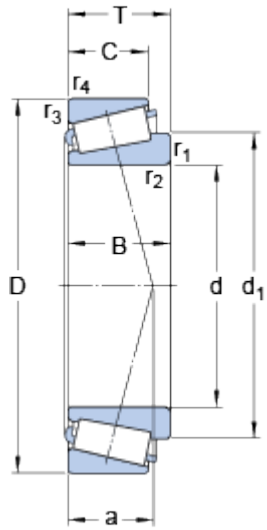


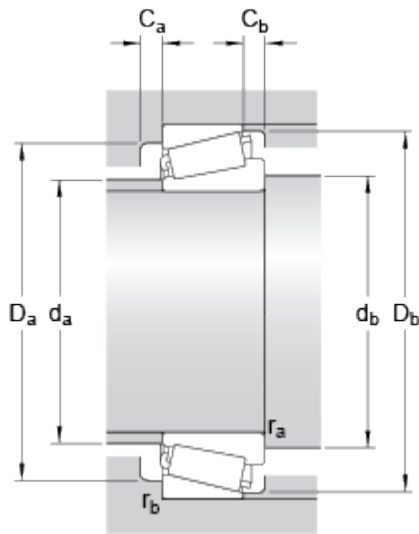
# LM 501349/314/Q

## Dimensions



d		41.275	mm
D		73.431	mm
T		21.43	mm
d <sub>1</sub>	≈	57.8	mm
B		19.812	mm
C		16.604	mm
r <sub>1,2</sub>	min.	3.5	mm
r <sub>3,4</sub>	min.	0.8	mm
a		18	mm

## Abutment dimensions



d <sub>a</sub>	max.	48	mm
d <sub>b</sub>	min.	52.5	mm
D <sub>a</sub>	min.	63	mm
D <sub>a</sub>	max.	68	mm
D <sub>b</sub>	min.	69	mm
C <sub>a</sub>	min.	3	mm
C <sub>b</sub>	min.	4.5	mm
r <sub>a</sub>	max.	3.3	mm
r <sub>b</sub>	max.	0.8	mm

## Calculation data

Basic dynamic load rating	C	55	kN
Basic static load rating	C <sub>0</sub>	68	kN
Fatigue load limit	P <sub>u</sub>	7.6	kN
Reference speed		6700	r/min
Limiting speed		10000	r/min
Calculation factor	e	0.4	
Calculation factor	Y	1.5	

Calculation factor

$Y_0$

0.8

**Mass**

---

Mass bearing

0.355

kg